

# 连接器安装说明书 PV-JK02M3 /xyz Series

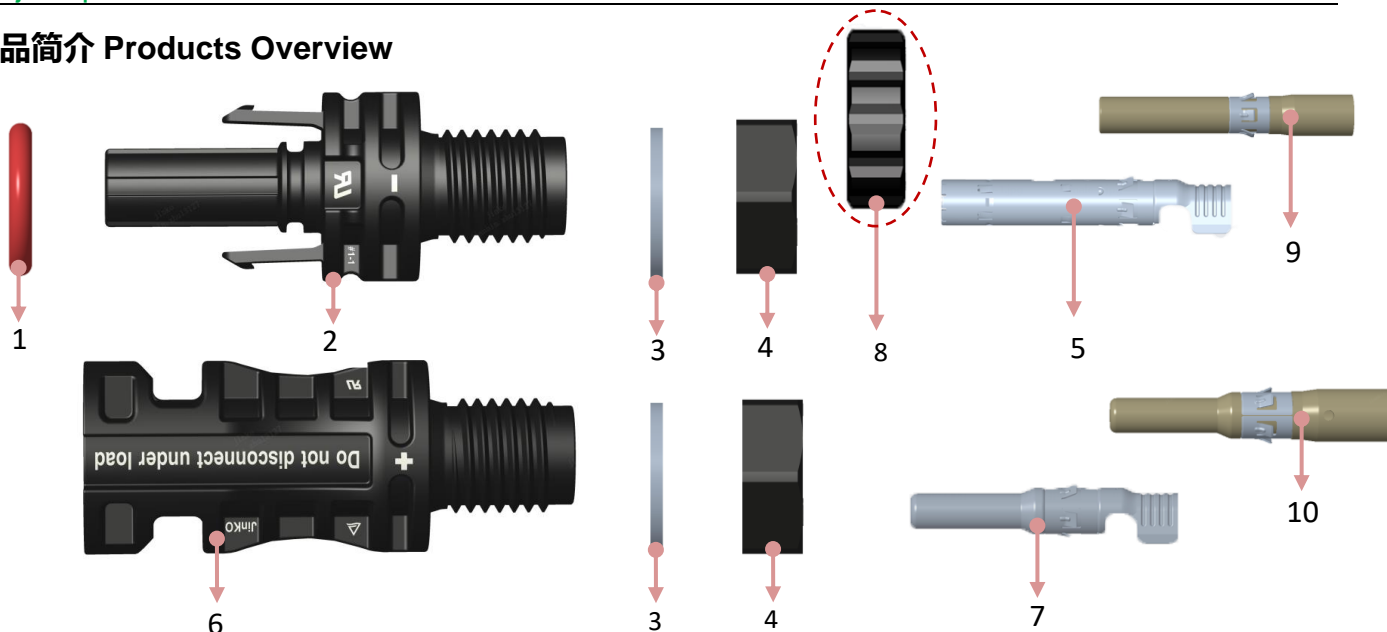
## Installation Manual for PV-JK02M3/xyz Series Panel Connector



## 目录 Catalog







1.产品简介 Products Overview .....	- 2 -
2.工具及配件简介 Tools and Parts Overview.....	- 3 -
3.技术参数 Technical Data.....	- 4 -
4.工具使用说明 Tools Instruction.....	- 6 -
5.安装说明 Installation Instruction.....	- 11 -
5.1 电缆准备 Cable Preparation .....	- 11 -
5.2 压接 Crimping.....	- 13 -
5.3 插座安装 Installation of receptacles.....	- 20 -
5.4 插针/插套安装 Male/Female Terminals Installation .....	- 22 -
5.5 连接器拆卸 Disconnecting Connector .....	- 24 -
5.6 安装提示 Installation Warning.....	- 24 -
6. 变更清单 Change List .....	- 27 -

## 1.产品简介 Products Overview



- 1 O 型圈 (O Ring)
- 2 母面板插座 (Female panel receptacle)
- 3 密封垫圈 (Seal gasket)
- 4 塑胶螺母-标配 (Gland nut)
- 5 冲压插套 (Stamped Female Terminal)
- 6 公面板插座 (Male panel receptacle)
- 7 冲压插针 (Stamped Male Terminal)
- 8 塑胶螺母-选配 (Gland nut-Optional)
- 9 机加工插套 (Cold Formed Female Terminal)
- 10 机加工插针 (Cold Formed Male Terminal)

## 2.工具及配件简介 Tools and Parts Overview

Item	Tool Type	Tool Name	Pic.
1	JKT-01	剥线工具 Stripping Tool	
2	JKT-10	剥线工具 Stripping Tool	
3	JKT-02	压接工具 Crimping Tool	
4	JKT-11	压接工具 Crimping Tool	
5	JKT-07	组装工具 Assembly Tool Open-end-Wrench	
6	4JB03M31005 4JB03M31007	防尘塞 Dust plug	

### 3.技术参数 Technical Data

产品型号 Type Name or Model No.	PV-JK02M3/xyz Series
额定电压 Rated Voltage (V DC)	1500 V DC
额定绝缘电压 Rated Insulation Voltage	8000 V
额定电流 Rated Current (A DC)	30 A (2.5mm <sup>2</sup> /14AWG)、40 A (4.0mm <sup>2</sup> /12AWG) 45 A (6.0mm <sup>2</sup> /10AWG)、70A (10.0mm <sup>2</sup> /8AWG)
应用等级 Application Class	Class A
防护等级 / 污染等级 Protection Class / Pollution Degree	Class II / 2
工作温度范围 Operating Temperature	- 40°C to +85°C
温度上限 Upper Limit Temperature	115°C (IEC)
过电压等级 Over Voltage Category	CAT III
防火等级 Flammability Class	UL94 V-0

防护等级, 插合状态 / 未插合状态 Degree of Protection, mated / unmated	IP68(1m, 2h) in mated condition IP2X in unmated condition
电缆截面积 Wire Cross Section Area or Cross Section Range	1X2.5mm <sup>2</sup> (14AWG) for y=A; 1X4.0mm <sup>2</sup> (12AWG) for y=B; 1X6.0mm <sup>2</sup> (10AWG) for y=C; 1X10.0mm <sup>2</sup> (8AWG) for y=D;
电缆线径 Cable Diameter	5,00mm to 8,40mm
可否更换电缆 Rewireable	No
接触电阻 Contact Resistance	≤0.25 mΩ
接触材料 Contact material	铜, 镀锡 Copper, tin plated
绝缘材料 Insulation Material	PA
接线方式 Type of termination	压接 / Crimping
认证标准 Certification Standard	IEC62852 UL6703

Note: IEC PV-JK02M3-F/xyz, PV-JK02M3-M/xyz (x=R1 or D1 or R2 or D2, y=A or B or C or D, z=T or H);

UL PV-JK02M3-F/xyzab, PV-JK02M3-M/xyzab (x=R1 or D1 or R2 or D2, y=A or B or C or D, z=T or H, a=1 or 2, b=1 or 2);

## 4.工具使用说明 Tools Instruction

◇ 剥线工具-JKT-01：适用于 2.5mm<sup>2</sup>(14AWG)、4.0mm<sup>2</sup>(12AWG)、6.0mm<sup>2</sup>(10AWG)线缆。

The Stripping Tool-JKT-01 is applicable to 2.5mm<sup>2</sup>(14AWG) or 4.0mm<sup>2</sup>(12AWG) or 6.0mm<sup>2</sup>(10AWG) cable.

一套=1 把

There is one stripping tool JKT-01 per tool set.

作用：裁切电缆线绝缘层（使得铜丝外露）。

Function: Cutting the wire insulation (exposing the copper wire).



**Stripping Tool - JKT-01**

◇ 剥线工具-JKT-10: 适用于 4.0mm<sup>2</sup>(12AWG)、6.0mm<sup>2</sup>(10AWG) 、10.0mm<sup>2</sup>(10AWG)线缆。

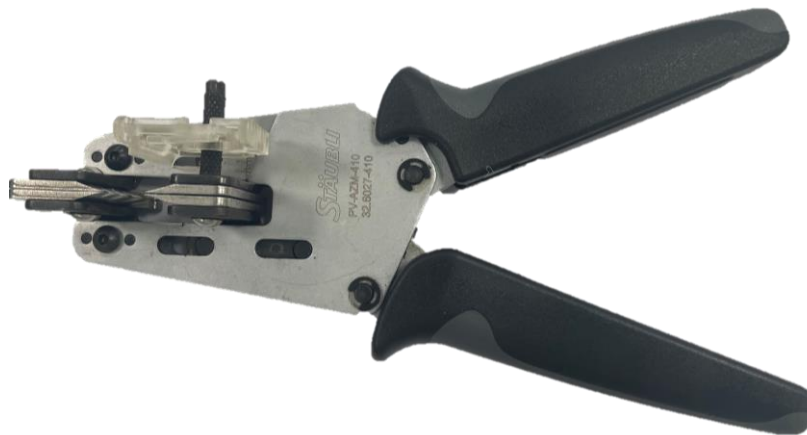
The Stripping Tool-JKT-10 is applicable to 4.0mm<sup>2</sup>(12AWG) or 6.0mm<sup>2</sup>(10AWG) or 10.0mm<sup>2</sup>(8AWG) cable.

一套=1 把

There is one stripping tool JKT-10 per tool set.

作用：裁切电缆线绝缘层（使得铜丝外露）。

Function: Cutting insulation of cable (exposing the copper wire).



**Stripping Tool – JKT-10**



◇ 压接工具-JKT-02: 适用于 2.5mm<sup>2</sup>(14AWG)、4.0mm<sup>2</sup>(12AWG)、6mm<sup>2</sup>(10AWG)线缆(冲压端子压接钳)。

The Crimping Tool-JKT-02 is applicable to 2.5mm<sup>2</sup>(14AWG) or 4.0mm<sup>2</sup>(12AWG) or 6.0mm<sup>2</sup>(10AWG) cable (Crimp tool for stamping forming contact).

一套=1 把

There is one crimping tool-JKT-02 per tool set.

作用: 起到铆接功能, 使得电缆线铜丝与金属端子之间的连接与固定。

Function: The connection and crimping between the copper wire and metal terminals are all made by the crimping tool.



**Crimping Tool- JKT-02**

◇ 压接工具-JKT-11：适用于 10mm<sup>2</sup>(8AWG)线缆(机加工端子压接钳)：。

The Crimping Tool-JKT-11 is applicable to 10.0mm<sup>2</sup>(8AWG) cable(Crimp tool for cold forming contact).

一套=1 把

There is one crimping tool-JKT-11 per tool set.

作用：起到铆接功能，使得电缆线铜丝与金属端子之间的连接与固定。

Function: The connection and crimping between the copper wires and metal terminals are all made by the crimping tools.



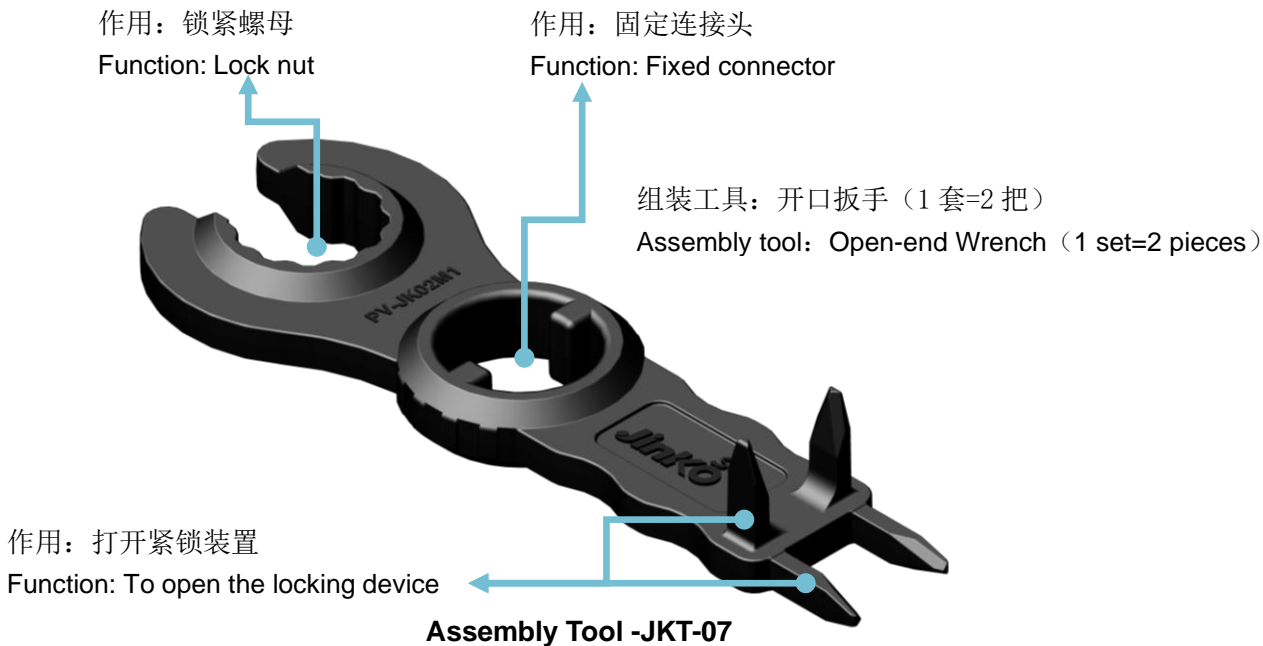
**Crimping Tool- JKT-11**

◇ 组装工具-JKT-07：一套=2把；

Assembly Tool -JKT-07: There are two assembly tools per tool set.

作用：用于组装拆卸连接器。

Function: Used for assembling and disassembling connectors.



## 5. 安装说明 Installation Instruction

### 5.1 电缆准备 Cable Preparation

- ◇ 请勿使用无镀锡的或氧化的导线，推荐使用镀锡的导线。

Do not use untreated or oxidized wire. Tinned wires are recommended.

- ◇ 剥去电缆线端部  $L=7-9\text{mm}$  的绝缘层。

When stripping insulation of cable (L), 7mm to 9mm in length should be removed on the end of cables.

- ◇ 剥线时请勿切断内部的铜丝。

Do not cut the copper wires inside.



- ◇ 把剥线工具的固定块调至 7-9mm 处（控制“L”的长度）。

The fixed block of the stripper is adjusted to 7-9mm (control the length of "L").

- ◇ 调节完毕后，一手拿取电缆，一手手持剥线工具。

Take the cable one hand and take the stripping tool-JKT-01 the other hand.

✧ 将电缆线的端部放至对应的刀口处，并使电缆的端部触碰到固定块（如图 1）

Insert the cable until the end touches fixed block (Fig. 1)

✧ 手用力压紧剥线工具的手柄，最后切除绝缘层（如图 2）。

Squeeze the handle of the stripping tool by hand, then cut and remove the insulation of cables (Fig. 2).



Figure 1



Figure 2

## 5.2 压接 Crimping

### 5.2.1 压接工具压接 Tools Crimping

- ◇ 使用专用压接工具（如 JKT-02、JKT-11）压接时，先将已剥好的线缆线芯放入端子槽内，并确保所有芯线都在端子槽内，然后将要压接的端子放入压线钳钳口，并使用相应的压接模具压接端子（见图 3 至图 7），压接完成后检查压接是否牢固（如图 8），压接后电缆拉力要求需满足表 1 要求。

When crimping with specified crimping tools (e.g. JKT-02, JKT11), insert striped cable into contact barrel and insure all conductor strands are captured in the contact barrel. Crimp contact barrel by using the corresponding crimping die, see below pictures from Fig.3 to Fig.7. Check whether the crimping is firm after the crimping was completed (Fig. 8). The cable force after crimping must meet the requirements in Table 1.

表 1 (Table 1)

No.	线缆规格 Cable Size	电缆压接拉力要求 Cable Crimping Pull-Out Force
1	2.5mm <sup>2</sup> /14AWG	≥223 N (Min.223 N)
2	4.0mm <sup>2</sup> /12AWG	≥310 N (Min.310 N)
3	6.0mm <sup>2</sup> /10AWG	≥360 N (Min.360 N)
4	10.0mm <sup>2</sup> /8AWG	≥400N (Min.400 N)

- ◇ 打开压接工具，把插针/插套放在合适的界面区域（如图 3、4）。  
Open the crimping tool and Insert the male/female terminal into appropriate (Fig. 3 & 4).
- ◇ 逐渐压压接工具直到插针/插套开口完全接触到压接模（如图 5）。  
Squeeze the crimping tool gradually until the male/female terminal totally touches the crimping mold. (Fig. 5).



Figure 3



Figure 4



Figure 5

- ◇ 将电缆线的剥线端插入插针/插套的开口内直到电缆线的绝缘层接触到插针/插套开口处，最后完全压紧压接工具（如图 6&7）。

Insert the stripped wire into the male/female terminal until the cable insulation touches the opening of the male/female terminal. Press the crimping tool completely (Fig. 6&7).

- ◇ 检查压接完整且牢固（如图 8）。

Be sure the crimping is complete and fixed (Fig. 8).



Figure 6



Figure 7



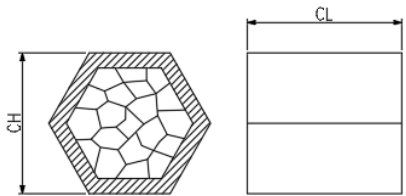
Figure 8



### 5.2.2 自动压接设备压接 Automatic Machine Crimping

- ◇ 客户用自动铆接设备对线缆进行压接时，建议压接规范如表格 2 和表格 3。  
When the customer uses the automatic crimping machine, we suggest that the contact crimping specification should meet the requirements of table 2 and table 3.
- ◇ 需要定期对压接结构做剖面分析，分析内容应涵盖如下（参考 Fig. 9&10）。  
It is very important to do the section analysis, which contains the items as follows. (Fig.9&Fig.10)
- ◇ 如压缩比率无法达到推荐的技术要求，建议在电缆与导体连接处采用二次加锡工艺固定，确保其可靠连接。  
If the compression ratio cannot meet the recommended technical requirements, using a secondary tinning process to fix the connection between the cable and the conductor to ensure a reliable connection.

表格 2 线缆截面分析 (Table 2 Cable cross-section analysis)

 <p><b>Figure 9</b></p>	No.	截面规格 Cross section specification		技术要求 Technical requirement
				8AWG/10mm <sup>2</sup>
	1	CH	压接高度 Crimp Height	4.8±0.1mm
	2	CL	压接长度 Crimp Length	8.00±0.5mm

注意：上述剖面分析仅针对 8AWG/10mm<sup>2</sup> 线缆。

Note: The above cross section analysis are only for 8AWG/10mm<sup>2</sup> cable.

表格 3 线缆截面分析 (Table 3 Cable cross section analysis)

	No.	截面规格 Cross section specification	技术要求 Technical requirement	
			12AWG/4mm <sup>2</sup>	10AWG/6mm <sup>2</sup>
<p><b>Figure 10</b></p>	1	CH 压接高度 Crimp Height	2.30±0.20mm	2.60±0.20mm
	2	CB 压接宽度 Crimp Width	4.00±0.10mm	4.25±0.10mm
	3	CBm 可测量压接宽度 Measurable Crimp Width	1.0*CB≤CBm≤1.1*CB	1.0*CB≤CBm≤1.1*CB
	4	D 羽翼尖端间距 Crimp face Ends	D ≤ 0.35mm	D ≤ 0.35mm
	5	GH 毛刺高度 Burr Height	GH ≤ 0.7mm	GH ≤ 0.7mm
	6	GB 毛刺宽度 Burr Width	GB ≤ 0.5mm	GB ≤ 0.5mm
	7	CH/CB 高度/宽度比率 Crimp Height/Crimp Width	50%≤(CH/CW)≤70%	50%≤(CH/CW)≤70%
	8	C/R 压缩比率 Compression Ratio	75%≤C/R≤85%	75%≤C/R≤85%
	9	P 孔隙率 Void Ratio	≤1.00%	≤1.00%

注意：上述剖面分析仅针对 12AWG/4mm<sup>2</sup>& 10AWG/6mm<sup>2</sup> 线缆。

Note: The above cross section analysis are only for 12AWG/4mm<sup>2</sup>& 10AWG/6mm<sup>2</sup> cable.

◇ 压接刀具图纸参考（如图 11&12）

Crimping Tool Drawing for reference (Fig. 11&12)

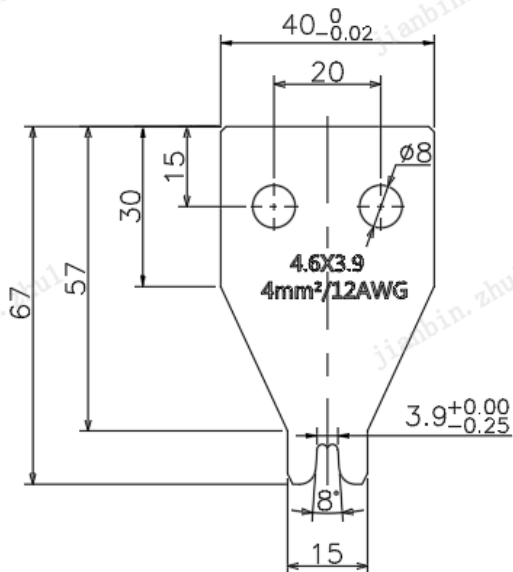


Figure 11 上刀模（Up Blade）

注意：上述压接刀具图纸仅针对 12AWG/4mm<sup>2</sup> 线缆。

Note: The above crimping tool drawing are only for 12AWG/4mm<sup>2</sup> cable.

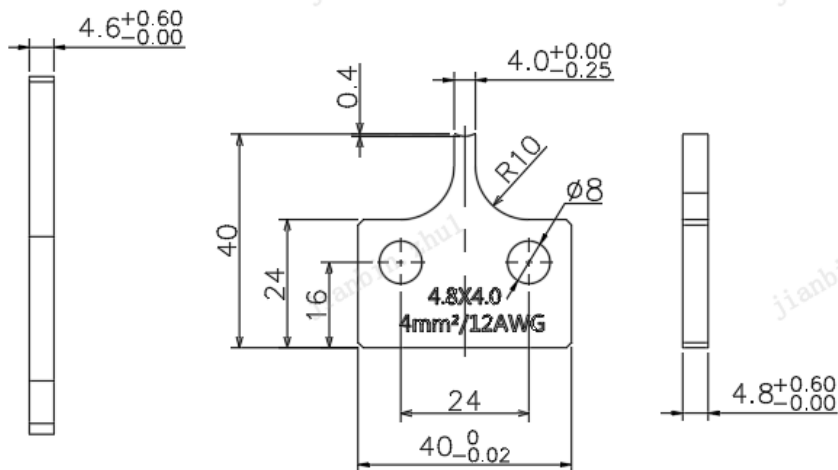


Figure 12 下刀模（Down Blade）

◇ 压接刀具图纸参考（如图 13&14）

Crimping Tool Drawing for reference (Fig 13&14)

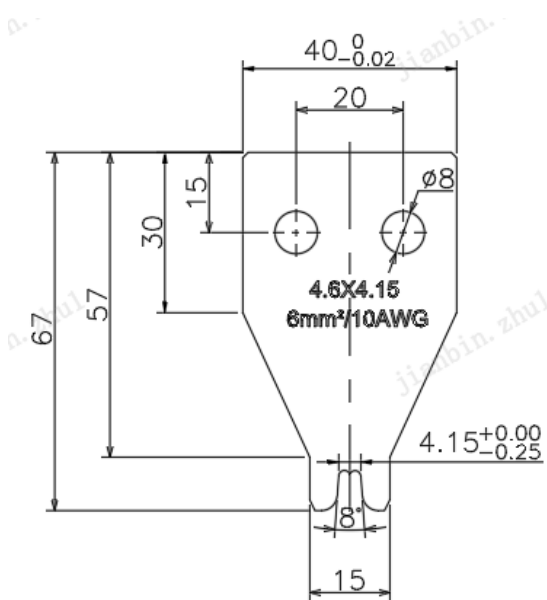


Figure 13 上刀模 (Up Blade)

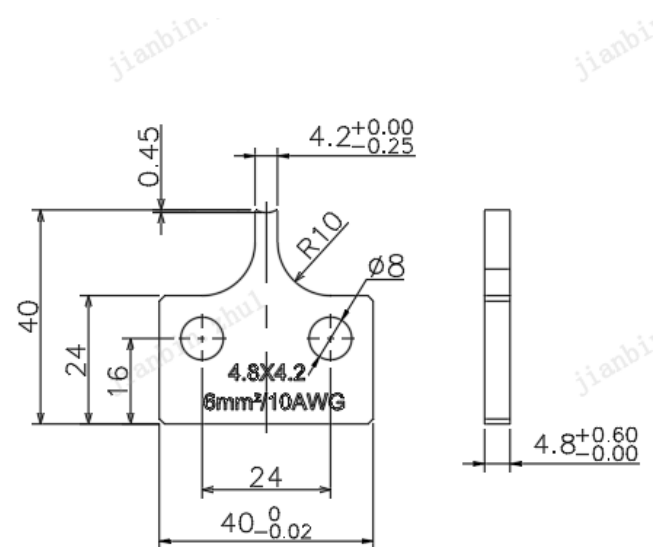


Figure 14 下刀模 (Down Blade)

注意：上述压接刀具图纸仅针对 10AWG/6mm<sup>2</sup> 线缆。

Note: The above crimping tool drawing are only for 10AWG/6mm<sup>2</sup> cable.

### 5.3 插座安装 Installation of receptacles

- ✧ 请确保面板厚度不小于 2mm 且最大不超过 6mm。在面板厚度小于 2mm 的情况下，验证过程需由客户来完成。  
Ensure a housing wall thickness not less than 2mm and a maximum of 6mm. In case of using a wall thickness below 2mm the validation process has to be done by the customer.
- ✧ 面板钻孔。钻孔的建议尺寸（如图 15），所有钻孔边缘的毛刺需要清除。我们建议，无论水平或垂直结构，间距值（X）至少要有 25mm（如图 15）。

Drill the panel wall. Recommended bore dimension see Fig.15, all burrs must be removed from the edges of all bores. For both horizontal and vertical mounting a spacing (X) of at least 25mm is recommended (Fig.15).

- ✧ 在公/母面板连接器插入钻孔前，请确保已安装防水垫圈，且防水垫圈安装在墙板的外侧（如图 16）。  
Please ensure seal gasket is located and positioned outside of the mounting surface before the male or female panel connector inserts the drilled hole (Fig.16).

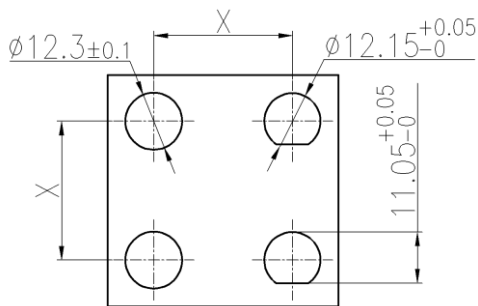


Figure 15

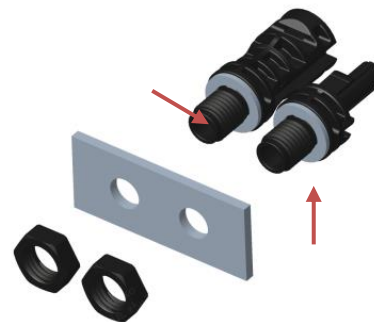


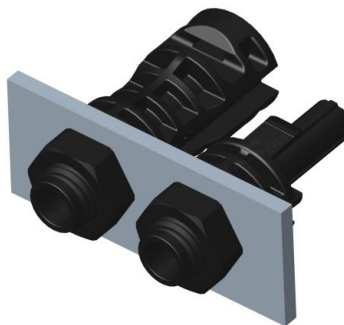
Figure 16

- ✧ 安装公/母面板连接器时，推荐用 2.0 Nm 的扭矩锁紧螺母。具体情况，需要由终端用户根据不同的面板验证合适的扭矩(如图 17)。

When installing the male or female panel connector, it is recommended to use 2.0 Nm torque lock nut. The appropriate torque has to be verified in the end use according to the respective housing (Fig.17).

- ✧ 安装后目测检查，确保防水垫圈没有破裂、折痕及其他干扰物。

No cracks, folds or other disturbances during a visual check after assembly.



**Figure 17**

## 5.4 插针/插套安装 Male/Female Terminals Installation

- ✧ 压接好的插针/插套插入到公端面板连接器/母端面板连接器内，直至其啮合（如图 18）。轻轻拉动导线，检查金属件是否啮合牢固（如图 19）。

Insert the crimped male or female terminals into corresponding male or female panel connectors separately until they engage (Fig.18). Pull lightly on the lead to check that the metal part has engaged. (Fig. 19).



Figure 18

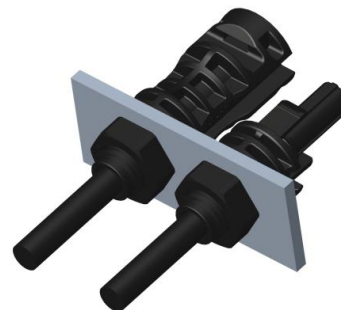
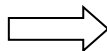


Figure 19

- ◇ 公母连接器插合：将公/母电缆连接器插入母/公面板连接器，直至其啮合。轻轻拉动，以检查是否啮合牢固（如图 20&21）。

Insert the Male/ female cable connector into the female/ male panel connector until they engage. And pull lightly to check correct engagement (Fig. 20&21).

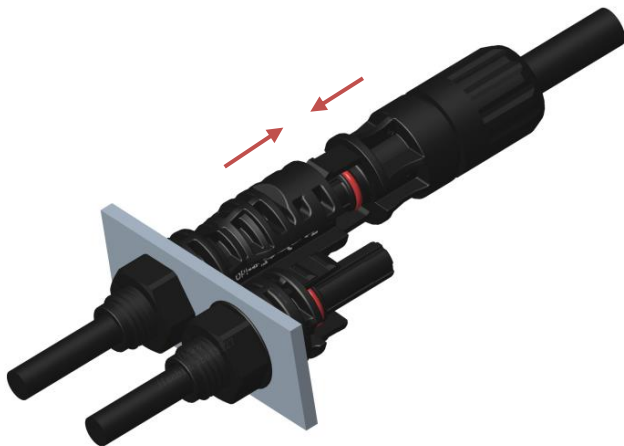


Figure 20

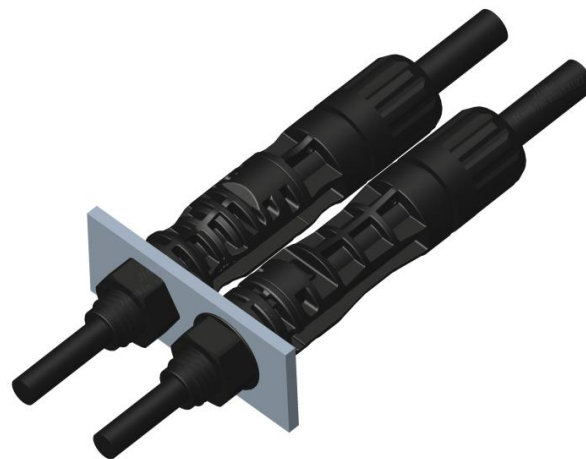


Figure 21



## 5.5 连接器拆卸 Disconnecting Connector

- ◇ 使用组装工具带有插销的一端插入连接器的卡扣位置（如图 22）  
Insert the forks into the buckle of the connector by the assembly tool (Fig. 22)
- ◇ 拉拔电缆连接器，即可分开公母连接器（如图 23&24）。  
Pull the cable connector by hand respectively. The connector can now be separated (Fig. 23&24)

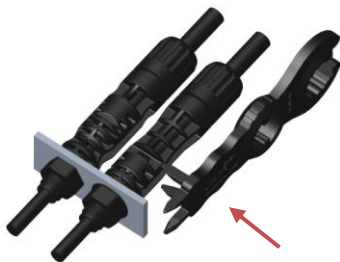


Figure 22



Figure 23

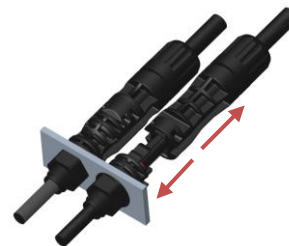


Figure 24

## 5.6 安装提示 Installation Warning

- ◇ 在自行安装时，如果所用的部件和工具不是 Jinko 官方指定的，或者没有按照官方要求进行准备和安装操作，我们将不保证产品的安全性和技术参数的一致性。  
If parts and tools used are not specified by Jinko or not prepared and assembled as Jinko described during installation, the uniformity of safety and technical data on products are not guaranteed.
- ◇ 连接器只有按照安装说明指定的方式组装时，才被认定符合 UL 6703。

The connector is considered to be in compliance with UL 6703 only when assembled in the manner specified by these assembly instructions.

- ✧ 在安装过程中，应避免接触机械油、油脂、溶剂等可能会造成连接器功能失效的物质，同时需注意施工人员的手套不能带有以上物质。被污染的连接器的不能插合使用。

During assembly, the connector must not be touched with any machine oil, grease, solvent, with which connector would be out of action. It should be noted that the gloves of the construction personnel could not contain the above substances. The contaminated connector cannot be mated and used.

- ✧ 该说明书中的所有操作不允许在带电或者负载下进行。

Operations in the manual are not allowed to be carried out when under power or load.

- ✧ 在负载的情况下，连接器不允许断开。在带电压的情况下允许插拔。

Connectors must not be disconnected under load. Plugging is allowed in the presence of voltage.

- ✧ 长期不对插连接或断开连接时必须盖上防尘塞（4JB03M31005&4JB03M31007）以防止灰尘和湿气。

When disconnected for a long time, the dust plug（4JB03M31005&4JB03M31007） must be covered to prevent dust and moisture.

- ✧ 连接器电缆不能承受持续的机械拉伸。电缆应该由扎带固定。

The plug connection must not be subjected to continuous mechanical tension. The cable should be fixed with cable ties.

- ✧ 出于安全原因，强烈建议不要使用 PVC 导线或无镀锡电缆。

For safety reason, the use of either PVC cables or untinned cables are prohibited.

- ✧ 此连接器只适用于 B 类和 C 类铜导线（参见 NFPA NEC 70 第 9 章，表 10）。

This connector is only suitable for copper wires of Class B and Class C (Refer to Table 10, Chapter 9, NFPA NEC 70).

**备注：连接器安装过程中操作困难或无法操作，请参照如下联络方式询问、查询：**

**Notes: If you have any questions during installation, please feel free to contact us as follows:**

**江西晶科光伏材料有限公司**

**Jiangxi Jinko PV Material Co., Ltd.**

地址：江西省上饶市经济技术开发区兴业大道 10 号

Add: No.10, Xingye Road, Economic Development Zone, Shangrao ,Jiangxi Province, P.R. China

电话 Tel.: (+86) 0793-8876086

邮编 Postcode: 334100

网址 Website: [www.jinkopvm.com](http://www.jinkopvm.com)

**销售联系方式**

**Sales Contact Information**

电话 Tel.: (+86) 0793-8876028

邮箱 E-mail: [sale.pvm@jinkosolar.com](mailto:sale.pvm@jinkosolar.com)

**技术联系方式**

**Technician Contact Information**

电话 Tel.: (+86) 0793-8876018

邮箱 E-mail: [rd.pvm@jinkosolar.com](mailto:rd.pvm@jinkosolar.com)



## 6. 变更清单 Change List

版本号 Ver.	修订内容 Rev. content	修订日期 Rev. date
A0	初版发行 First edition	2024.03.08
A1	调整压接高度和压接刀具图纸尺寸公差范围 Adjust the tolerance range of crimp height and crimping tool drawing dimension	2024.10.10